

# Fire-rated Steel Door

certified in accordance with DKI Jakarta Standard



SIAC fire-rated steel doors are engineered and fabricated to conform to published international and national standards with certifications available from 0.5 – 2-hour fire-rating. Our doors are made of high grade steel materials and our door panels are filled with high quality infill materials to provide the necessary high-performance thermal/acoustics insulation requirements. Available in both single-leaf and double-leaves panel types. Our doors are commonly used in high-rise offices, shopping centres, factories, warehouses, MRT, oil and gas plants and marine industries, where high durability and weather resistance are needed.



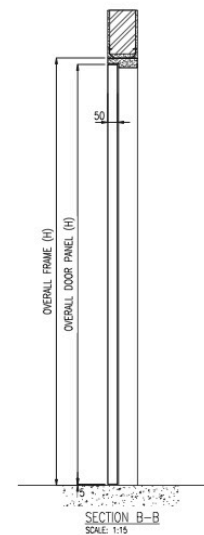
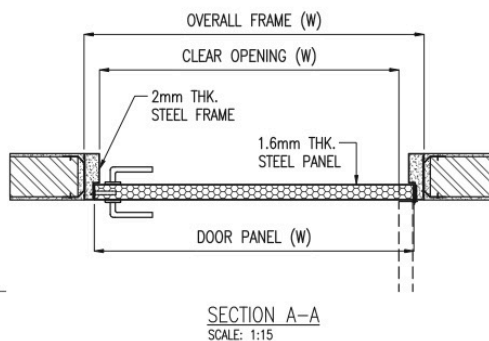
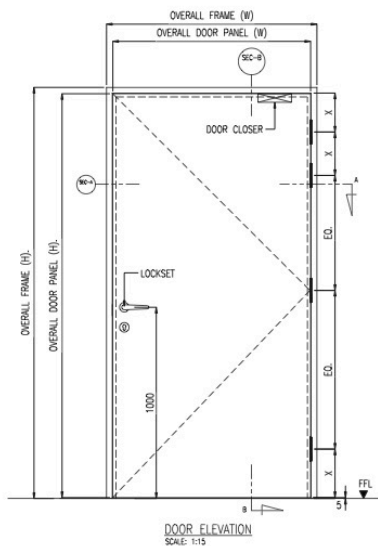
## SPECIFICATIONS

### Door Frame

- Made of high-quality steel with 2.0mm thick
- Standard profile 150 x 50mm with single or double rebate

### Door Panel

- Door panel is 50mm thick, made of high grade 1.6mm steel.
- Internally supported with rigid steel stiffeners designed to enhance the overall integrity and strength of the door
- Filled with high density insulated elements
- Quality fire-rated door hardware



Standard Sizing (Frame Size)											
Single	Width					Double Door	Width				
Height	800	900	1000	1100	Max. 1200	Height	1600	1800	2000	2200	Max. 2400
1950	*	*	*	*	*	1950	*	*	*	*	*
2050	*	*	*	*	*	2050	*	*	*	*	*
2150	*	*	*	*	*	2150	*	*	*	*	*
Max. 2400	*	*	*	*	*	Max. 2400	*	*	*	*	*

Note: Frame size can be fabricated as per customer's specifications.



#### Finishing

Standard finishing includes undercoat primer paint layer. Optional finishing are available upon request.

#### Certification

- DKI Standard
- Singapore Standard (SS 33:2007)

#### OPTIONAL FEATURES

- Panic bar and multi locking system device
- Vision panel – fire-rated, tempered glass
- Stainless steel kick plate
- Air-tight / acoustic door (STC 45-55)
- Over-sized door up to 3.5m wide by 3.5m high is available upon request



Jl. Muara Baru Ujung Blok B 13 / 14 Penjaringan,  
 Jakarta 14440, Indonesia  
**P.** +6221 2266 3933 (hunting)  
**F.** +6221 2266 3931